

PATROL CAB CHASSIS

SHIFT the way you move



Specifications

	DX Coil 3.0 litre intercooled turbo-diesel	DX Leaf 3.0 litre intercooled turbo-diesel	ST Coil 3.0 litre intercooled turbo-diesel
Engine			
3.0 litre common rail intercooled turbo-diesel DOHC	●	●	●
Displacement (cc)	2953	2953	2953
Bore x stroke (mm)	96 x 102	96 x 102	96 x 102
Max. power (kW@rpm) ECE	118@3400	118@3400	118@3400
Max. torque (Nm@rpm)	380@2000 - 2400	380@2000 - 2400	380@2000 - 2400

Transmission

5-speed manual	●	●	●
Ratio 1st manual	4.556	4.556	4.556
Ratio 2nd manual	2.625	2.625	2.625
Ratio 3rd manual	1.591	1.591	1.591
Ratio 4th manual	1.000	1.000	1.000
Ratio 5th manual	0.836	0.836	0.836
Ratio Reverse manual	4.245	4.245	4.245
Final drive manual	4.111	4.111	4.111
Transfer ratio - low	1:1	1:1	1:1
Transfer ratio - high	2:02	2:02	2:02

Dimensions

Overall length (without tray) (mm)	4940	5115	4940
Overall width (without tray) (mm)	1940	1840/1940*	1940
Overall height (without tray) (mm)	1875	1895/1875*	1875
Wheelbase (mm)	2970	2970	2970
Minimum turning circle kerb to kerb (m)	12.5	12.5	12.5
Overhang - front	930	930	930
Overhang - rear	1030	1205	1030
Gross Vehicle Mass (GVM*) (kg)	3150	3400	3150
Tare mass (kg)* (without tray) manual	1979	2105	1993
Carrying capacity (kg) manual	1171	1295	1157
Ground clearance unladen (mm)	235	235	235
Angle of approach	35	36	35
Angle of departure	30	30	30

Rated Towing Capacity*

Trailer with brakes (kg)	3200	3200	3200
Trailer without brakes (kg)	750	750	750
Towball download (kg)	See table	See table	See table

Fuel

Fuel type - diesel	●	●	●
Fuel tank capacity (litres)	95	95	95
Sub fuel tank capacity (litres)	80	80	80
Fuel economy l/100km (manual) (combined ADR 81/02**)	11.4	11.4	11.4

Mechanical

Front brakes - ventilated discs	●	●	●
Rear brakes - ventilated discs	●	●	●
Limited Slip Differential (LSD)	●	●	●
Rear drum brakes		●	
Load sensing brake valve	●	●	●
Manual free wheeling hubs	●	●	●
Manual idle control	●	●	●
Power steering	●	●	●
Front - 3 link coil suspension	●	●	●
Front stabiliser	●	●	●
Rear - 5 link coil springs	●	●	●
Rear stabiliser	●	●	●
Rear - progressive rate leaf springs		●	

	DX Coil 3.0 litre intercooled turbo-diesel	DX Leaf 3.0 litre intercooled turbo-diesel	ST Coil 3.0 litre intercooled turbo-diesel
Semi floating rear axle	●		●
Full floating rear axle		●	

Wheels/Tyres

16x8JJ steel wheels with 265/75R16 tyres	●	Opt	●
5.5Fx16 steel wheels with 7.50R16 LT tyres		●	
Full size steel spare wheel	●	●	●

Interior

Seating capacity	3	3	2
Front bucket seats			●
Driver bucket, passenger bench seat	●	●	
Seat trim	Cloth	Cloth	Moquette
Power windows			●
Central locking			●
4 spoke steering wheel	●	●	●
Tilt adjustable steering	●	●	●
6 CD in-dash auto-changer with AM/FM radio			●
Single CD player with AM/FM radio	●	●	
Bluetooth® handsfree phone system	●	●	●
Auxiliary MP3 player input jack	●	●	●
Full iPod connectivity (or USB device) via USB connection	●	●	●
Speakers	2	2	2
12v power socket	●	●	●
Large door pockets	●	●	●
Door armrests	Small	Small	Large
Centre console with lid			●
Air-conditioning	●	●	●
Antenna	Manual	Manual	Power
Cupholders			●
Roof console with sunglasses holder			●
Map lights			●
Tinted glass (green)			●
Sunvisor	●	●	●
Front assist grip(s)	●	●	●
Floor trim	Vinyl	Vinyl	Carpet
Courtesy lights	●	●	●

Instrumentation

Odometer, tachometer and trip meter	●	●	●
Oil pressure and charge warning light	●	●	●
Brake warning light	●	●	●
Low fuel warning light			●
Door ajar warning light			●
Seatbelt warning lamp	●	●	●
Glow indicator	●	●	●
Sediment filter warning light	●	●	●
4WD indicator light	●	●	●
Distance to next service and oil level indicator	●	●	●
Fuel/water temperature gauges	●	●	●
Sub fuel tank gauge	●	●	●
Digital clock	●	●	●

Safety

Driver and front passenger front-impact SRS airbags	●	●	●
Collapsible steering column	●	●	●
Door side intrusion bars	●	●	●
3 point front Emergency Locking Retractor (ELR) seatbelts	Driver and left passenger	Driver and left passenger	●
Side intrusion beams	●	●	●
Laminated windscreen	●	●	●
Hazard warning lights	●	●	●
Day/night rear view mirror	●	●	●

PATROL CAB CHASSIS

SHIFT the way you move



Specifications

	DX Coil 3.0 litre intercooled turbo-diesel	DX Leaf 3.0 litre intercooled turbo-diesel	ST Coil 3.0 litre intercooled turbo-diesel
Exterior			
Over fender flares	•	Opt	•
Side steps			•
Lockable fuel filler caps	•	•	•
Front mudflaps	•	•	•
Front & rear towing hooks	•	•	•
Door mirrors	•	•	•
Colours			
White	•	•	•
Pewter Grey*	•	•	•
Golden Sands*	•	•	•
Big Red	•	•	•
Warranty			
3 year/100,000km	•	•	•
3 year 24-Hour Roadside Assistance Program	•	•	•
Genuine Nissan Extended Warranty	Opt	Opt	Opt

Opt Optional Not available Standard

LEAF SPRING TOWBALL DOWNLOAD:

Towball Download must not exceed 250kg at GVM.** To increase the towball download above 250kg, the vehicle mass needs to be decreased as per the following table.

Towball download	Vehicle Mass
250kg	GVM** (All Variants)
300kg	Reduce loaded vehicle mass below GVM** by 85kg
320kg	Reduce loaded vehicle mass below GVM** by 120kg

COIL SPRING TOWBALL DOWNLOAD:

Towball Download must not exceed 100kg at GVM.** To increase the towball download above 100kg, the vehicle mass needs to be decreased as per the following table.

Towball download	Vehicle Mass
100kg	GVM** (All Variants)
150kg	Reduce loaded vehicle mass below GVM** by 115kg
200kg	Reduce loaded vehicle mass below GVM** by 200kg
250kg	Reduce loaded vehicle mass below GVM** by 290kg
300kg	Reduce loaded vehicle mass below GVM** by 365kg
320kg	Reduce loaded vehicle mass below GVM** by 400kg

*Indicates a metallic colour which is available at extra cost.

**GVM = Gross Vehicle Mass. Includes the driver, 1-2 passengers (refer seating capacity), full fuel tank and payload.

* Tare mass = unladen mass of vehicle with 10 litres of fuel, excludes tray.

* Figures have been calculated in accordance with ADR81/02. Actual fuel consumption will vary depending on driving conditions, driver behavior, the condition of your vehicle and the accessories fitted.

^ With optional wheels and tyres.

† Towing capacity is subject to towbar/towball capacity. The capacity may be reduced if a non Nissan Genuine towbar is fitted.

To finance your new Nissan



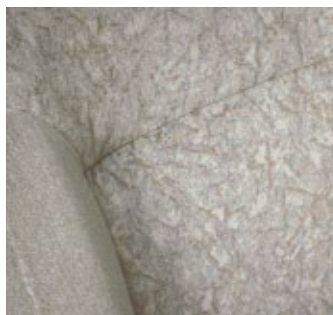
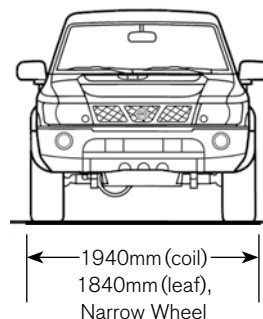
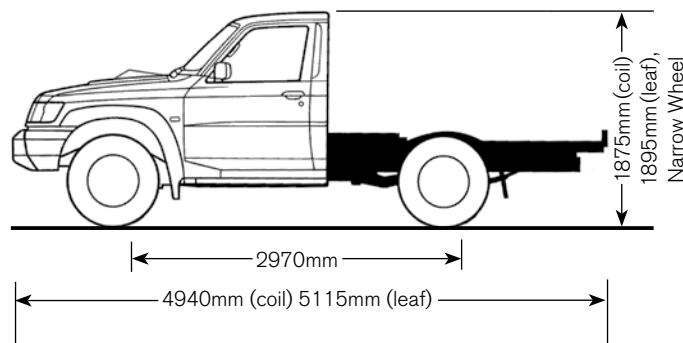
FINANCIAL SERVICES

1800 035 035
www.nissanfs.com.au

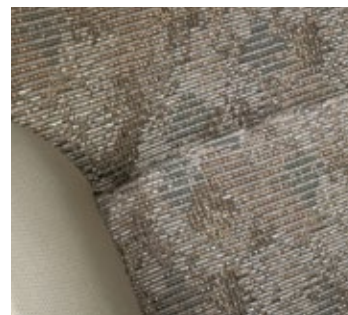
Finance and Insurance solutions designed for your Nissan. Designed for you.

Dimensions

See specification pages for dimensions of all models.



DX Coil/Leaf seat trim.



ST Coil seat trim.



Genuine Nissan Extended Warranty

To find how easily you can extend your new vehicle warranty, ask your Nissan Dealer or phone 1800 035 035 during normal business hours. Good for you, great for your Nissan.

All illustrations, information and specifications presented and referred to in this brochure were correct at the time when this brochure was approved for printing. The colours in the photographs may vary from actual colours. However, Nissan Motor Co (Australia) Pty. Ltd. reserves the right, subject to the laws of Australia and/or the regulations of any competent authority which may apply from time to time, at its discretion at anytime and without prior notice to discontinue or change the models, features, specifications, designs and prices of the products referred to in this brochure and any optional equipment therefore without incurring any liability whatsoever to any purchaser or prospective purchaser of any such products. Some of the items referred to herein are optional at extra cost. Some options may be required in combination with other options. Always consult your Nissan Dealer for the latest information on models, specifications, features, prices, options and availability. Nissan Motor Co (Australia) Pty. Ltd. ACN 004 663 156. Updated November 2010. 2010MY. PCC0121.